

3P Gravure Laminate Can

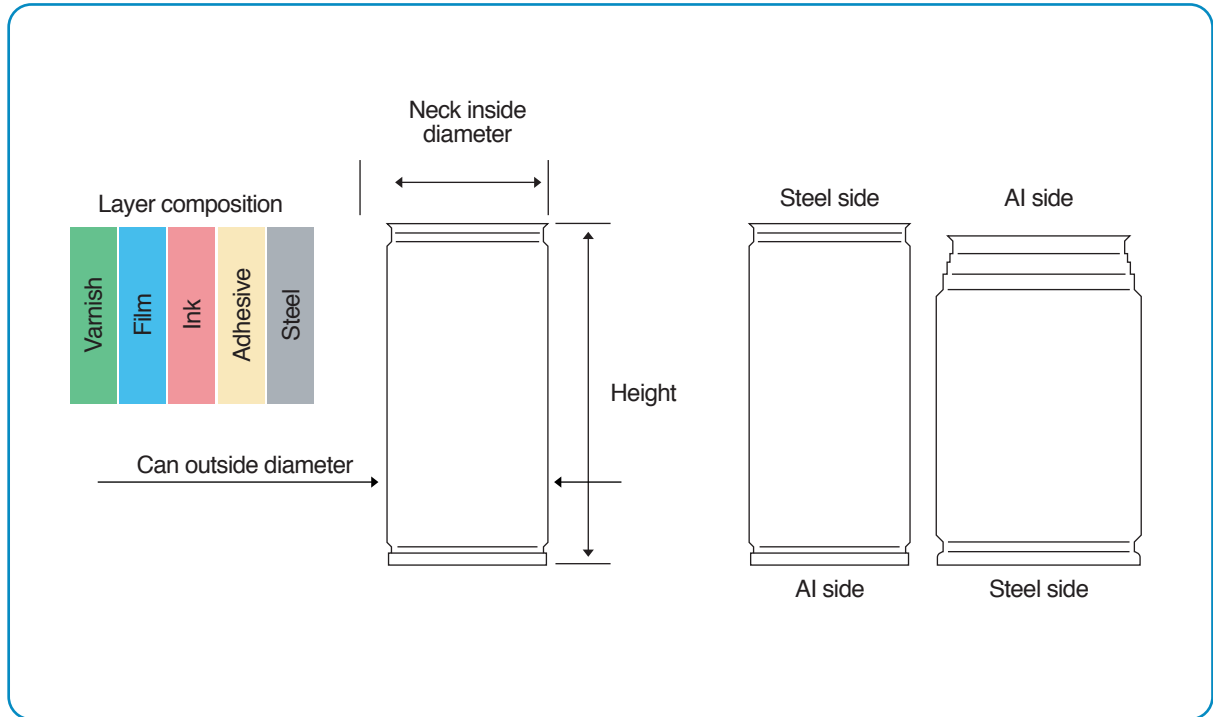


Product name	3P Gravure Laminate Can
Type	Metal
Material	Steel
Can type	3-Piece
Application	Beverage
Beverage type	Coffee, tea, fruit juices, soups and others *Please inquire for details.
Feature	<ul style="list-style-type: none">• Gravure printed film is laminated to the outside surface.• Gravure printing dramatically improves the appearance of the product, enabling a higher-quality design with greater shelf appeal.• The inside surface is laminated with PET film instead of conventional coatings.• Printing with inks that create a metallic or pearlescent finish is possible, enabling truly eye-catching designs.
Color	Can be gravure printed



DAIWA CAN
SOLUTION & INVENTION

3P Gravure Laminate Can



Type Symbol	Capacity (ml)	Can outside diameter (mm)	Height (mm)	Neck inside diameter(mm)	
				Al side	Steel side
R□N1	350	52.8	88.8	50.0	50.0
RLN1	190		104.8		
RLK1			104.7		
RLN2	250		133.3		
RLK2		133.1			
RW28	280	65.9	101.0	57.2	62.6
RLG3	350		121.7		



3-Piece



O₂ barrier property



UV proof



DAIWA CAN
SOLUTION & INVENTION