

Confectionary Can

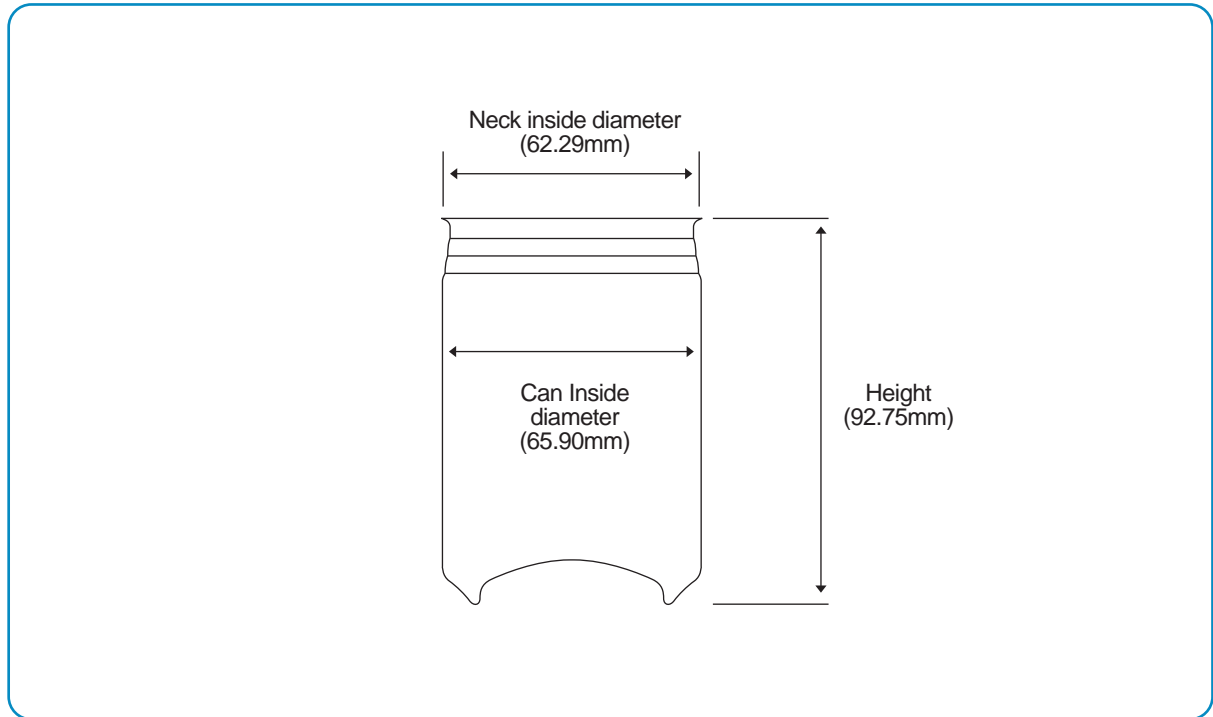


Product name	Confectionary Can
Type	Metal
Material	Aluminum
Can type	2-Piece
Application	Confectionary
Contents	Chocolates, chewing gum, candy, etc.
Feature	<ul style="list-style-type: none">• Superior light / gas-barrier properties make these containers ideal for long-term storage.• Full-open end makes it easy to take out contents• The double-safety panel and full aperture rim from incident injuries protect consumers.
Color	Can be printed in seven colors *Please inquire about laminate printing



DAIWA CAN
SOLUTION & INVENTION

Confectionary Can



Can type code	Volume of contents (ml)	Can inside diameter (mm)	Height (mm)	Neck inside diameter (mm)	SOT size
A112TG	250	65.90	92.75	62.29	208



2-Piece



O₂ barrier property



UV proof



DAIWA CAN
SOLUTION & INVENTION